

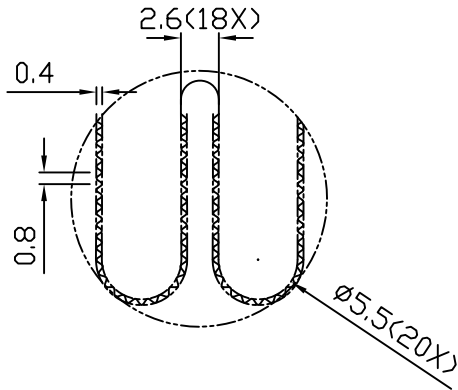
I approve this drawing is marking correctly for tooling and production

我保证本图面标示正确并可如图制造生产

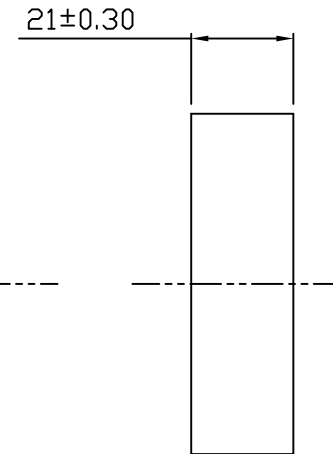
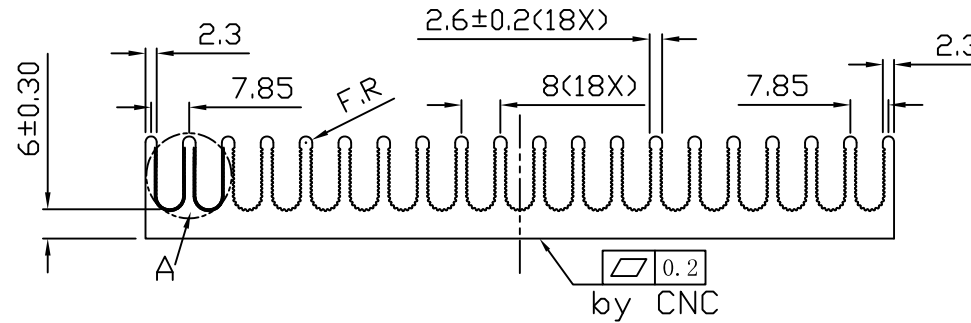
Approved by: /核准:

Signature(簽名) Date(日期)

REVISIONS			
REV	DESCRIPTION	DATE	BY
A	Formal Release	2014/06/05	Gary



DETAIL A
SCALE 3:1



Note:

1. Material: Al6063-T5
2. Surface treatment: Black Anodized with nature anodized thickness more than 5 μ m
3. Surface is not allowed scratches, burrs, oils.
4. R angle is less than 0.3 if without noted, All parts must free of burrs.
5. All parts are ROHS compliance

Living Comfort
ZAWARD
ZAWARD CORPORATION

TEL: +881-03-3946-8160 FAX: +881-03-3946-8162
E-mail: info@zaward.co.jp Http://www.zaward.co.jp

GENERAL TOLERANCE Unless otherwise specified, GENERAL TOLERANCE shall apply: R or C angle is less than 0.2 if without noted		
DIMENSIONS	METAL TOLERANCE	WELD TOLERANCE
over 1000	± 1.20	± 2.00
400-1000	± 0.80	± 1.20
120-400	± 0.50	± 0.80
30-120	± 0.30	± 0.50
6-30	± 0.20	± 0.30
0.5-6	± 0.10	± 0.20
ANGLES	1.0°	1.0°

MATERIAL/材質: AL6063-T5		SURFACE/表面處理: Black Anodizing/陽極黑色		PART TITLE 名稱: Heatsink/散熱片		VIEW/視角 SCALE 比例: 1:1
WEIGHT/重量(g): 230		REFERABLE/參考端: —		PART NO. 料號: 21EX154L50B		
UNIT/單位: MM		APPROVED/核准: Carmen		REV/版本: A		
ROHS/環保: YES		CHECKED/審核: Gary				
DATE/日期: 2014/06/05		DRAWN/繪圖: Gary				

This information is confidential and proprietary to ZAWARD.
And shall not be reproduced or further disclosed to anyone other than ZAWARD employees without prior written consent from ZAWARD.