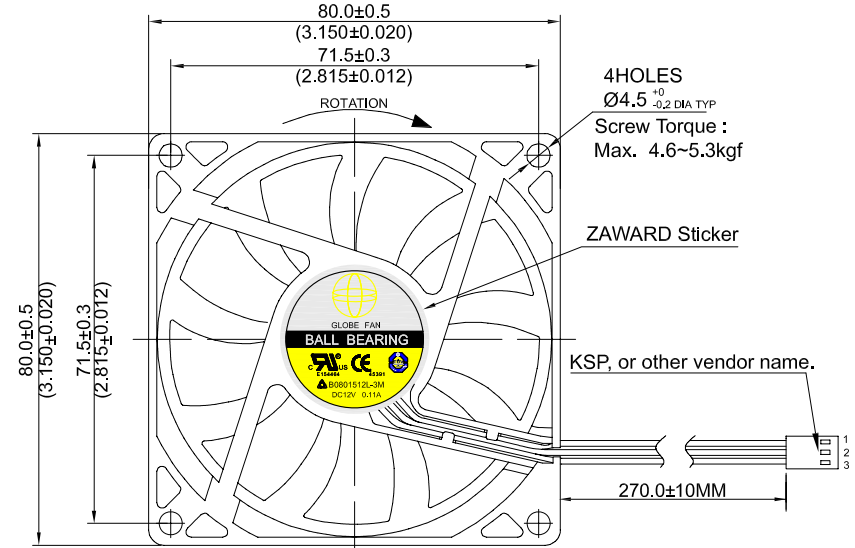
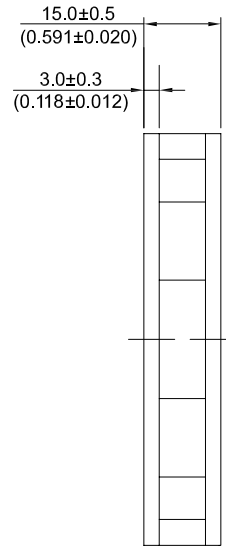


08015 : 80\*80\*15(3.15"\*3.15"\*0.59")

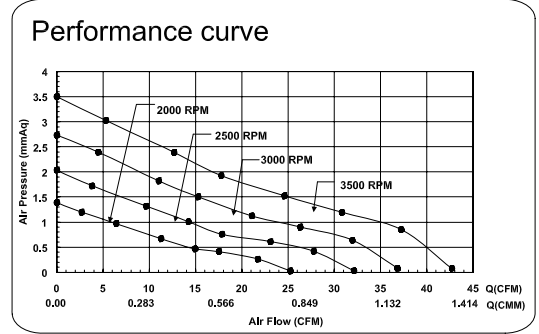
I approve this drawing is marking correctly for tooling and production  
 我保证本图面标示正确并可如图制造生产  
 Approved by/核准: \_\_\_\_\_  
 Signature(签名) Date(日期) \_\_\_\_\_

REVISIONS			
REV	DESCRIPTION	DATE	BY
0.00	Formal Release	2014/07/07	Alin

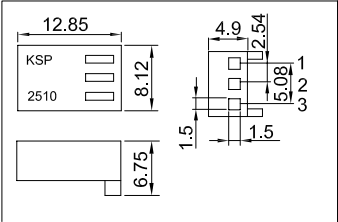


ELECTRICAL	
Item	Specification Conditions
Rated Voltage	12 VDC
Operating Voltage	6~13. VDC
Starting Voltage	6.0 VDC
Consumption Current	0.11 Max. Amp at 12VDC
Rated Input Power	1.32 Max. Watt at 12VDC
Rated Speed	2000 RPM±10%
Max. Air Flow	25.26 Max. CFM
Max. Static Pressure	1.39 Max. mmAq
Noise Value	20.4 dBA
Operating Temp	-10°C to +70°C
Storage Temp	-40°C to +90°C
Insulation Resistance	>10MW
Dielectric Strength	500VAC/1min, 600VAC/1sec/1mA

MECHANICAL	
Item	Specification Conditions
Blade Material	Thermo plastic PBT GF 15%, Class UL 94V-0
Frame Material	Thermo plastic PBT GF 30%, Class UL 94V-0
Frame Type	Ribbed(4 holes)
Signal Output	FG Frequency Generator
Connection Lead Type	Terminal Connector
Rotation Direction	CCW Counter-clockwise viewed from inlet
Air Flow Direction	ETV Air exhaust through ventilator
Bearing Type	2 Balls
Net Weight	50.0 Gram
Packing	--- X --- X --- mm, 5.0kg/CTN
	100 PCS/CTN



Housing drawing (SCALE :1.5:1)



PIN	Function / Color
1	-GND, BLACK
2	+12V, RED
3	Signal, WHITE
Connector Housing	Equivalent of Molex or KSP
Connector Pin	2510/22-01-3037

This information is confidential and proprietary to ZAWARD.  
 And shall not be reproduced or further disclosed to anyone other than ZAWARD employees without prior written consent from ZAWARD.

Living Comfort PLUS  
**ZAWARD**  
 南實企業有限公司  
 TEL: +886-2-2221-7098 FAX: +886-2-2221-7200  
 E-mail: info@zaward.com Http://www.zaward.com

GENERAL TOLERANCE	
Unless otherwise specified, GENERAL TOLERANCE shall apply:	
R or C angle is less than 0.5 if without noted	
DIMENSIONS	METAL TOLERANCE
over1000	±1.20 ±2.00
400-1000	±0.80 ±1.20
120-400	±0.50 ±0.80
30-120	±0.30 ±0.50
6-30	±0.20 ±0.30
0.5-6	±0.10 ±0.20
ANGLES	0.5° 1.0°

MATERIAL/材質:	/	SURFACE/表面處理:	/
WEIGHT/重量(g)	/	REFERABLE/參考號	568111330(FS-7601)
UNIT/單位:	MM	APPROVED/核准:	Carmen
ROHS/環保	YES	CHECKED/審核:	Gary
DATE/日期:	2014/07/07	DRAWN/繪圖:	Alin

PART TITLE 名稱:	DC FAN/直流風扇	VIEW/視角	1
PART NO. 料號:	B0801512L-3M	SCALE 比例:	1:1
		0.00 REV/版本	