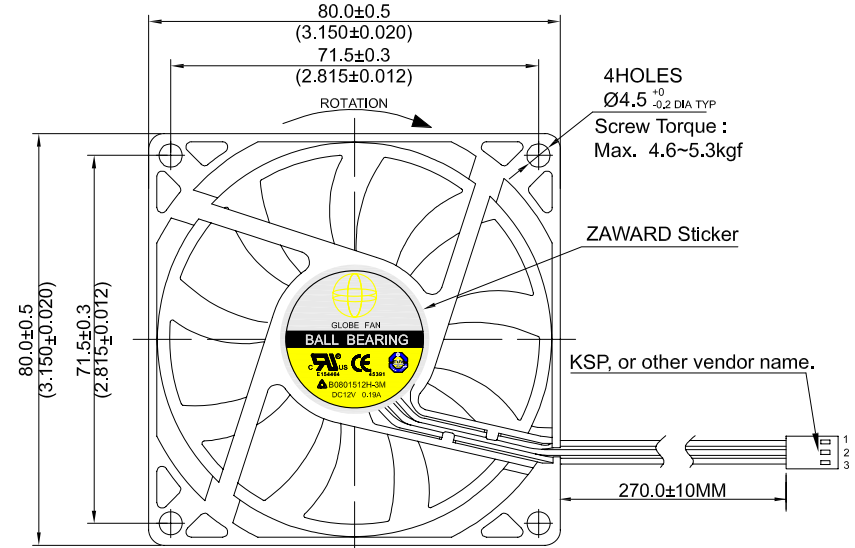
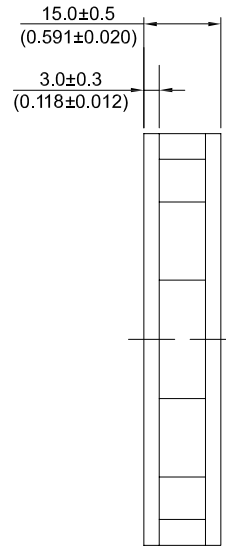


I approve this drawing is marking correctly for tooling and production
 我保证本图面标示正确并可如图制造生产
 Approved by/核准: _____
 Signature(签名) Date(日期) _____

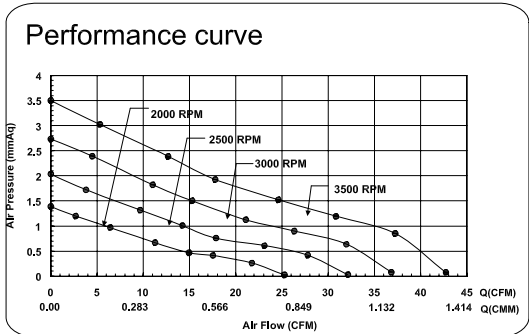
08015 : 80*80*15(3.15"*3.15"*0.59")

REVISIONS			
REV	DESCRIPTION	DATE	BY
0.00	Formal Release	2014/07/07	Alin

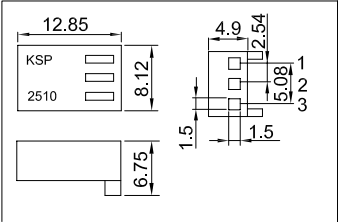


ELECTRICAL		
Item	Specification Conditions	
Rated Voltage	12	VDC
Operating Voltage	6~13.8	VDC
Starting Voltage	6.0	VDC
Consumption Current	0.19	Max. Amp at 12VDC
Rated Input Power	2.28	Max. Watt at 12VDC
Rated Speed	3000	RPM±10%
Max. Air Flow	36.81	Max. CFM
Max. Static Pressure	2.73	Max. mmAq
Noise Value	30.3	dBA
Operating Temp	-10°C to +70°C	
Storage Temp	-40°C to +90°C	
Insulation Resistance	>10MW	
Dielectric Strength	500VAC/1min, 600VAC/1sec/1mA	

MECHANICAL		
Item	Specification Conditions	
Blade Material	Thermo plastic PBT GF 15%, Class UL 94V-0	
Frame Material	Thermo plastic PBT GF 30%, Class UL 94V-0	
Frame Type	Ribbed(4 holes)	
Signal Output	FG	Frequency Generator
Connection Lead Type	Terminal Connector	
Rotation Direction	CCW	Counter-clockwise viewed from inlet
Air Flow Direction	ETV	Air exhaust through ventilator
Bearing Type	2 Balls	
Net Weight	50.0	Gram
Packing	— X — X — mm, 5.0kg/CTN	
	100	PCS/CTN



Housing drawing (SCALE :1.5:1)



PIN	Function / Color
1	-GND, BLACK
2	+12V, RED
3	Signal, WHITE
Connector Housing	Equivalent of Molex or KSP
Connector Pin	2510/22-01-3037

Living Comfort PLUS
ZAWARD
 南實企業有限公司
 TEL: +886-2-2221-7098 FAX: +886-2-2221-7200
 E-mail: info@zaward.com Http://www.zaward.com

GENERAL TOLERANCE		
Unless otherwise specified, GENERAL TOLERANCE shall apply:		
R or C angle is less than 0.5 if without noted		
DIMENSIONS	METAL TOLERANCE	PLUM TOLERANCE
over1000	±1.20	±2.00
400-1000	±0.80	±1.20
120-400	±0.50	±0.80
30-120	±0.30	±0.50
6-30	±0.20	±0.30
0.5-6	±0.10	±0.20
ANGLES	0.5°	1.0°

MATERIAL/材質:	/	SURFACE/表面處理:	/
WEIGHT/重量(g)	/	REFERABLE/參考號	588111230(FS-7603)
UNIT/單位:	MM	APPROVED/核准:	Carmen
ROHS/環保	YES	CHECKED/審核:	Gary
DATE/日期:	2014/07/07	DRAWN/繪圖:	Alin

PART TITLE	名稱:	DC FAN/直流風扇
PART NO.	料號:	B0801512H-3M
VIEW/視角	SCALE	比例:1:1
		0.00
		REV/版本

This information is confidential and proprietary to ZAWARD.
 And shall not be reproduced or further disclosed to anyone other than ZAWARD employees without prior written consent from ZAWARD.