

This information is confidential and proprietary to ZAWARD.  
 And shall not be reproduced or further disclosed to anyone other than  
 ZAWARD employees without prior written consent from ZAWARD.  
 Any uncontrolled printed copy of this document is for reference purpose  
 only unless expressly authorized by ZAWARD.  
 Authorization must include number and revision.

011388 : 80\*80\*25(3.15"\*3.15"\*0.98")

REVISIONS

REV.	DESCRIPTION	DATE
△	Formal Release.	2011/3/30

ELECTRICAL

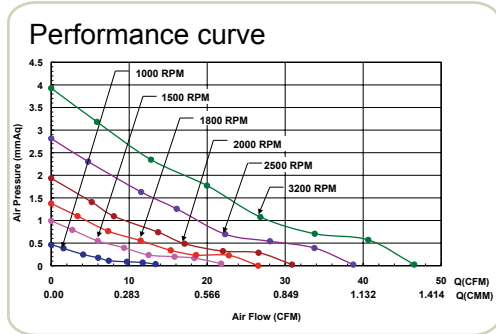
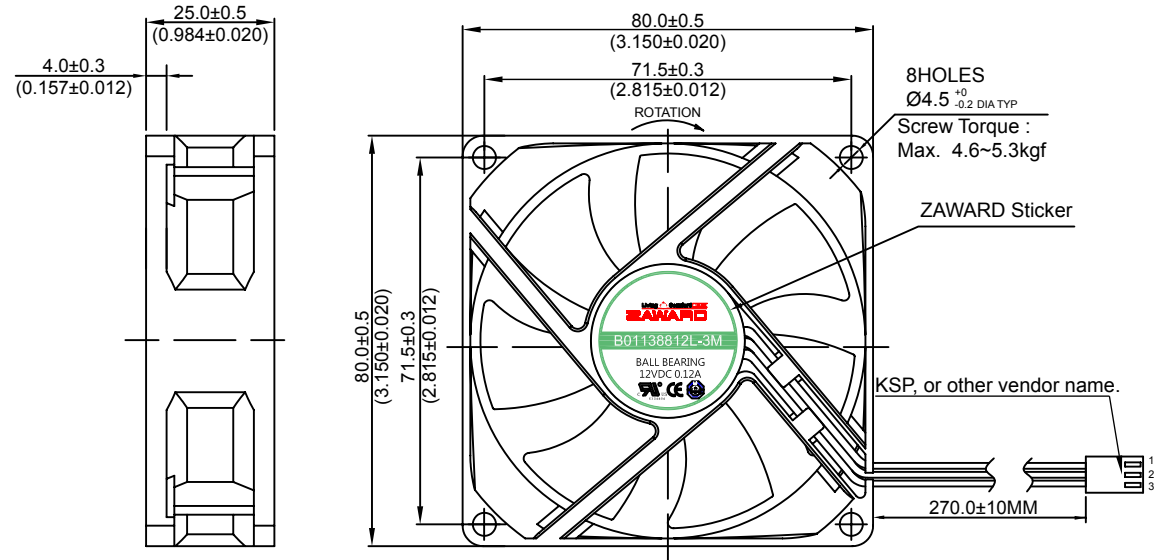
Item	Specification Conditions
Rated Voltage	12 VDC
Operating Voltage	6~13.8 VDC
Starting Voltage	6.0 VDC
Consumption Current	0.12 Max. Amp at 12VDC
Rated Input Power	1.44 Max. Watt at 12VDC
Rated Speed	2000 RPM±10%
Max. Air Flow	26.54 Max. CFM
Max. Static Pressure	1.55 Max. mmAq
Noise Value	21.0 dBA
Operating Temp	-10°C to +70°C
Storage Temp	-40°C to +90°C
Insulation Resistance	>10MΩ
Dielectric Strength	500VAC/1min, 600VAC/1sec/1mA

MECHANICAL

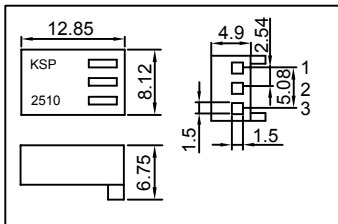
Item	Specification Conditions
Blade Material	Thermo plastic PBT GF 15%, Class UL 94V-0
Frame Material	Thermo plastic PBT GF 30%, Class UL 94V-0
Frame Type	Ribless(8 holes)
Signal Output	FG Frequency Generator
Connection Lead Type	Terminal Connector
Rotation Direction	CCW Counter-clockwise viewed from inlet
Air Flow Direction	ETV Air exhaust through ventilator
Bearing Type	2 Balls
Net Weight	74.0 Gram
Packing	--- X --- X --- mm, 7.4kg/CTN
	100 PCS/CTN

FEATURES

Item	Specification Conditions
Locked Rotor Protection	Yes (Auto-Restart)
Polarity Protection	Yes
Life Expectancy	70,000 Hours at 40°C 15~65% R.H.
Approvals	UL : E154464 , TUV : 45391 , CE
Functions	



Housing drawing (SCALE :1.5:1)



PIN	Function / Color
1	-GND, BLACK
2	+12V, RED
3	Signal, WHITE
Connector Housing	Equivalent of Molex or KSP
Connector Pin	2510/22-01-3037

# ZAWARD CORPORATION

MODEL NO.	B01138812L-3M(RoHS)			
PART TITLE	DC Axial Fan	SCALE	1:1	
SIZE	SHEET	RoHS	REFERABLE	DATE
A4	1/1	Yes	568211230(FS-7604)	2011.3.30
				REV.
				0.00

APPROVED Carmen CHECKED Regina DRAWN Daniel VIEW mm

A B C D E F G