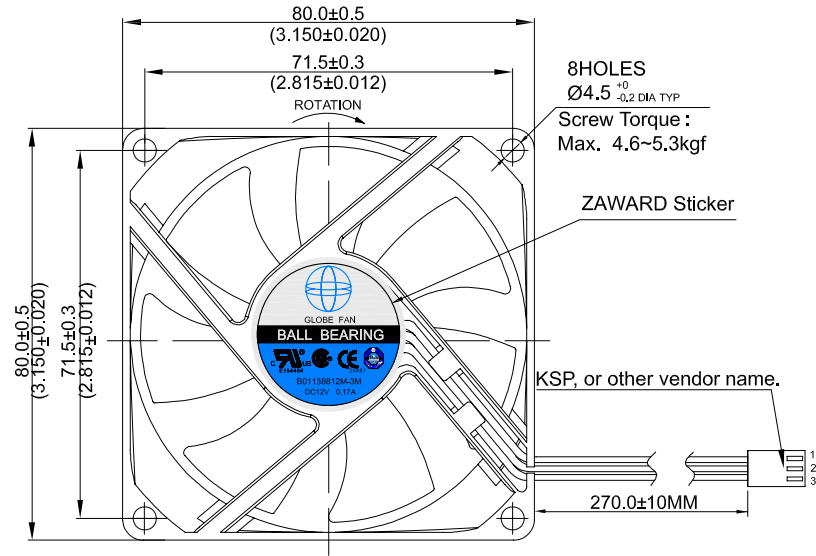
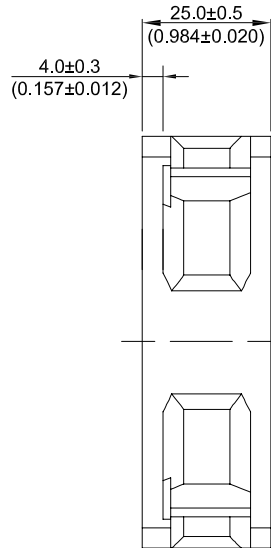


011388 : 80*80*25(3.15"*3.15"*0.98")

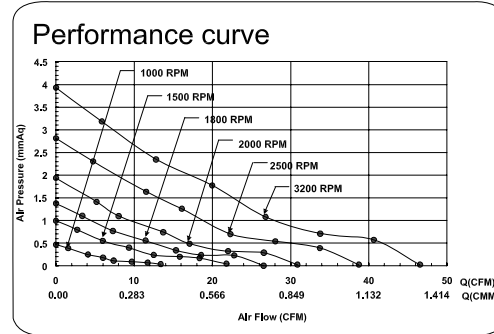
REVISIONS			
REV	DESCRIPTION	DATE	BY
△0.00	Formal Release	2014/07/07	Alin

I approve this drawing is marking correctly for tooling and production
 我保证本图面标示正确并可如制图造生产
 Approved by/核准: _____
 Signature(签名) Date(日期) _____

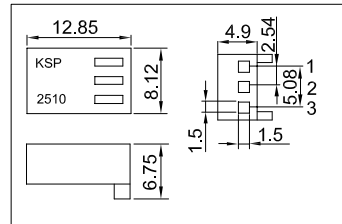


ELECTRICAL	
Item	Specification Conditions
Rated Voltage	12 VDC
Operating Voltage	6~13.8 VDC
Starting Voltage	6.0 VDC
Consumption Current	0.17 Max. Amp at 12VDC
Rated Input Power	2.04 Max. Watt at 12VDC
Rated Speed	2000 RPM±10%
Max. Air Flow	32.37 Max. CFM
Max. Static Pressure	3.26 Max. mmAq
Noise Value	27.4 dBA
Operating Temp	-10°C to +70°C
Storage Temp	-40°C to +90°C
Insulation Resistance	>10MW
Dielectric Stren th	500VAC/1min, 600VAC/1sec/1mA

MECHANICAL	
Item	Specification Conditions
Blade Material	Thermo plastic PBT GF 15%, Class UL 94V-0
Frame Material	Thermo plastic PBT GF 30%, Class UL 94V-0
Frame Type	Ribless(8 holes)
Signal Output	FG Frequency Generator
Connection Lead Type	Terminal Connector
Rotation Direction	CCW Counter-clockwise viewed from inlet
Air Flow Direction	ETV Air exhaust through ventilator
Bearing Type	2 Balls
Net Weight	74.0 Gram
Packing	-- X -- X -- mm, 7.4kg/CTN 100 PCS/CTN



Housing drawing (SCALE :1.5:1)



PIN	Function / Color
1	-GND, BLACK
2	+12V, RED
3	Signal, WHITE
Connector Housing	Equivalent of Molex or KSP
Connector Pin	2510/22-01-3037

Living Comfort PLUS
ZAWARD
 南實企業有限公司
 TEL: +886-2-2221-7098 FAX: +886-2-2221-7200
 E-mail: info@zaward.com Http://www.zaward.com

GENERAL TOLERANCE	
Unless otherwise specified, GENERAL TOLERANCE shall apply: R or C angle is less than 0.5 if without noted	
DIMENSIONS	METAL TOLERANCE PLUM TOLERANCE
over1000	±1.20 ±2.00
400-1000	±0.80 ±1.20
120-400	±0.50 ±0.80
30-120	±0.30 ±0.50
6-30	±0.20 ±0.30
0.5-6	±0.10 ±0.20
ANGLES	0.5° 1.0°

MATERIAL/材質:	SURFACE/表面處理:
/	/
WEIGHT/重量(g) /	REFERABLE/參考號: 578211130(FS-7605)
UNIT/單位: MM	APPROVED/核准: Carmen
ROHS/環保: YES	CHECKED/審核: Gary
DATE/日期: 2014/07/07	DRAWN/繪圖: Alin

PART TITLE	
名稱: DC FAN/直流風扇	
PART NO. 料號: B01138812M-3M	
VIEW/視角	SCALE 比例:1:1
0.00	REV/版本

This information is confidential and proprietary to ZAWARD.
 And shall not be reproduced or further disclosed to anyone other than ZAWARD employees without prior written consent from ZAWARD.