

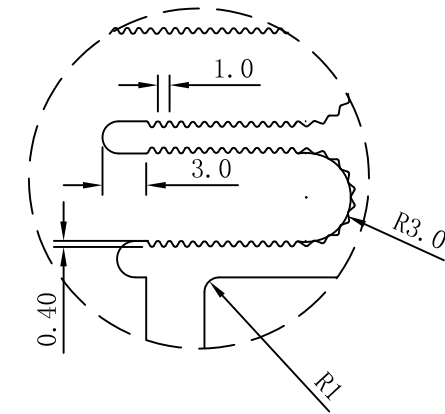
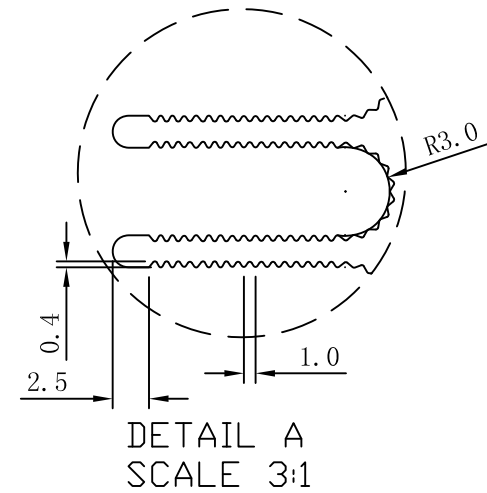
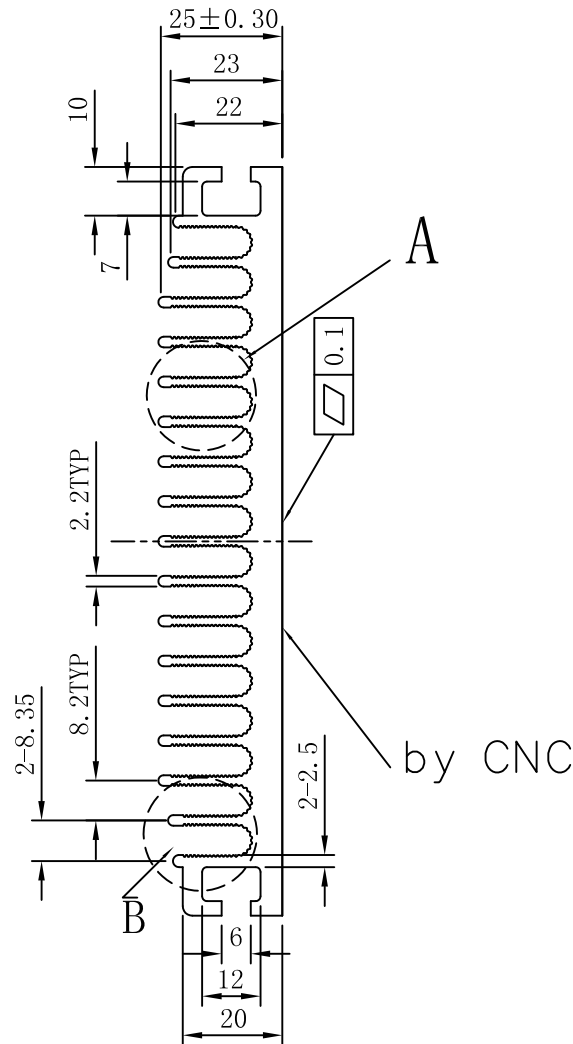
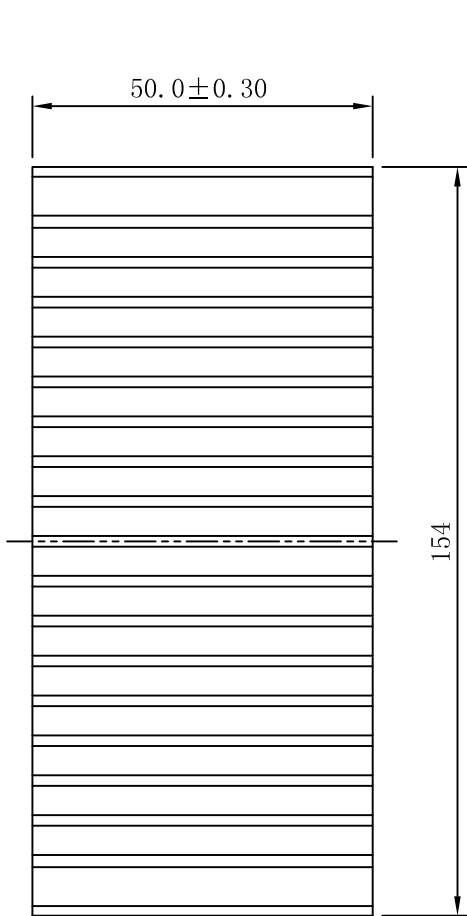
I approve this drawing is marking correctly for tooling and production

我保证本图面标示正确并可如图制造生产

Approved by: /核准:

Signature(簽名) Date(日期)

REVISIONS			
REV	DESCRIPTION	DATE	BY
A	Formal Release	2014/06/05	Gary



Note:

1. Material: Al6063-T5
2. Surface treatment: Clear Anodized with nature anodized thickness more than 5µm
3. Surface is not allowed scratches, burrs, oils.
4. R angle is less than 0.3 if without noted, All parts must free of burrs.
5. All parts are ROHS compliance

This information is confidential and proprietary to ZAWARD. And shall not be reproduced or further disclosed to anyone other than ZAWARD employees without prior written consent from ZAWARD.

Living Comfort  
**ZAWARD**  
ZAWARD CORPORATION

TEL: +881-03-3946-8160 FAX: +881-03-3946-8162  
E-mail: info@zaward.com.jp Http://www.zaward.com.jp

GENERAL TOLERANCE		
Unless otherwise specified, GENERAL TOLERANCE shall apply:		
F or C angle is less than 0.2 if without noted		
DIMENSIONS	METAL TOLERANCE	WELD TOLERANCE
over1000	± 1.20	± 2.00
400-1000	± 0.80	± 1.20
120-400	± 0.50	± 0.80
30-120	± 0.30	± 0.50
6-30	± 0.20	± 0.30
0.5-6	± 0.10	± 0.20
ANGLES	1.0°	1.0°

MATERIAL/材質: AL6063-T5		SURFACE/表面處理: Clear Anodizing/阳极黑色		PART TITLE 名稱: Heatsink/散热片		VIEW/視角 SCALE 比例: 1:1
WEIGHT/重量(g): 233		REFERABLE/參考端: —		PART NO. 料號: 25FX154L50C		
UNIT/單位: MM		APPROVED/核准: Carmen		REV/版本: A		
ROHS/環保: YES		CHECKED/審核: Gary				
DATE/日期: 2014/06/05		DRAWN/繪圖: Gary				