

This information is confidential and proprietary to ZAWARD. And shall not be reproduced or further disclosed to anyone other than ZAWARD employees without prior written consent from ZAWARD. Any uncontrolled printed copy of this document is for reference purpose only unless expressly authorized by ZAWARD. Authorization must include number and revision.

12025 : 120*120*25(4.72"*4.72"*0.98")

REVISIONS

REV.	DESCRIPTION	DATE
△0.01	Formal Release.	2011/3/30

ELECTRICAL

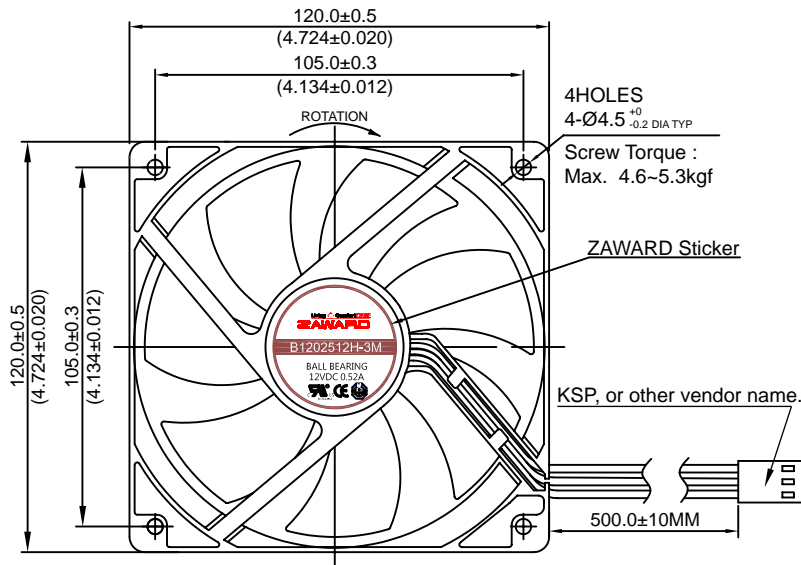
Item	Specification	Conditions
Rated Voltage	12	VDC
Operating Voltage	3.5-13.8	VDC
Starting Voltage	3.5	VDC
Consumption Current	0.52	Max. Amp at 12VDC
Rated Input Power	6.24	Max. Watt at 12VDC
Rated Speed	2800	RPM±10%
Max. Air Flow	124.11	Max. CFM
Max. Static Pressure	5.79	Max. mmAq
Noise Value	43.6	dB(A)
Operating Temp	-10°C to +70°C	
Storage Temp	-40°C to +90°C	
Insulation Resistance	>10MΩ	
Dielectric Strength	500VAC/1min, 600VAC/1sec/1mA	

MECHANICAL

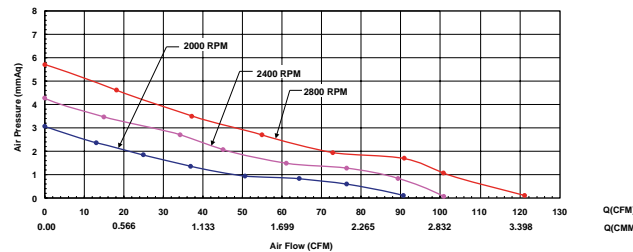
Item	Specification	Conditions
Blade Material	Thermo plastic PBT GF 15%, Class UL 94V-0	
Frame Material	Thermo plastic PBT GF 30%, Class UL 94V-0	
Frame Type	Ribbed(4 holes)	
Signal Output	FG	Frequency Generator
Connection Lead Type	Terminal Connector	
Rotation Direction	CCW	Counter-clockwise viewed from inlet
Air Flow Direction	ETV	Air exhaust through ventilator
Bearing Type	2 Balls	
Net Weight	140.0	Gram
Packing	--- X --- X --- mm, 8.4kg/CTN	
	60	PCS/CTN

FEATURES

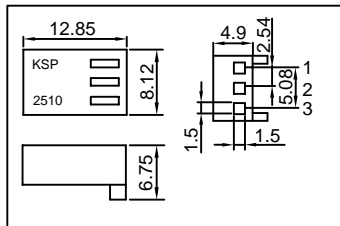
Item	Specification	Conditions
Locked Rotor Protection	Yes (Auto-Restart)	
Polarity Protection	Yes	
Life Expectancy	70,000 Hours at 40°C 15-65% R.H.	
Approvals	UL : E154464 , TUV : 45391 , CE	
Functions		



Performance curve



Housing drawing (SCALE :1.5:1)



PIN	Function / Color
1	-GND, BLACK
2	+12V, RED
3	Signal, WHITE
Connector Housing	Equivalent of Molex or KSP
Connector Pin	2510/22-01-3037

ZAWARD CORPORATION

MODEL NO.	B1202512H-3M(RoHS)			
PART TITLE	DC Axial Fan	SCALE	1:1.5	
SIZE	SHEET	RoHs	REFERABLE	DATE
A4	1/1	Yes	581211230(FS-7612)	2011.3.30
				REV.
				0.00

APPROVED Carmen CHECKED Regina DRAWN Daniel VIEW mm

A B C D E F G