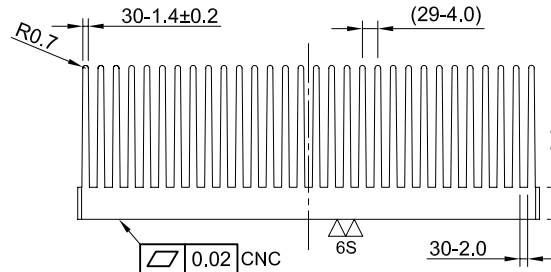
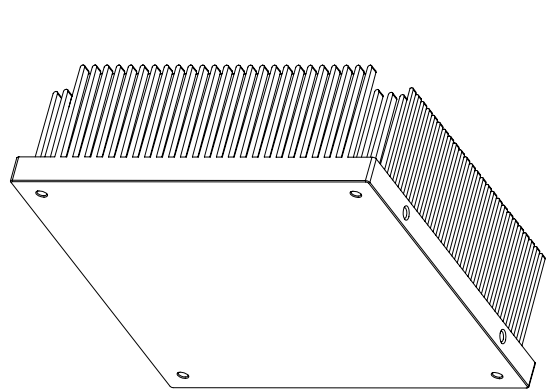
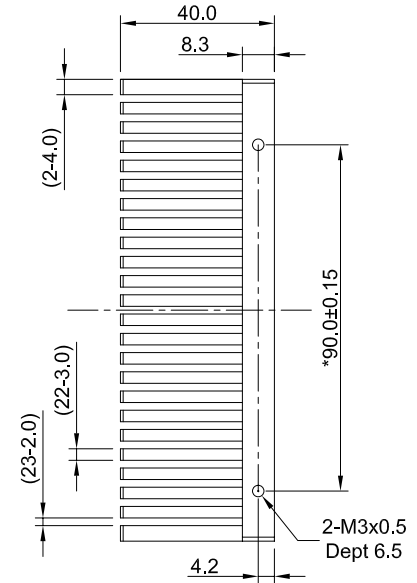
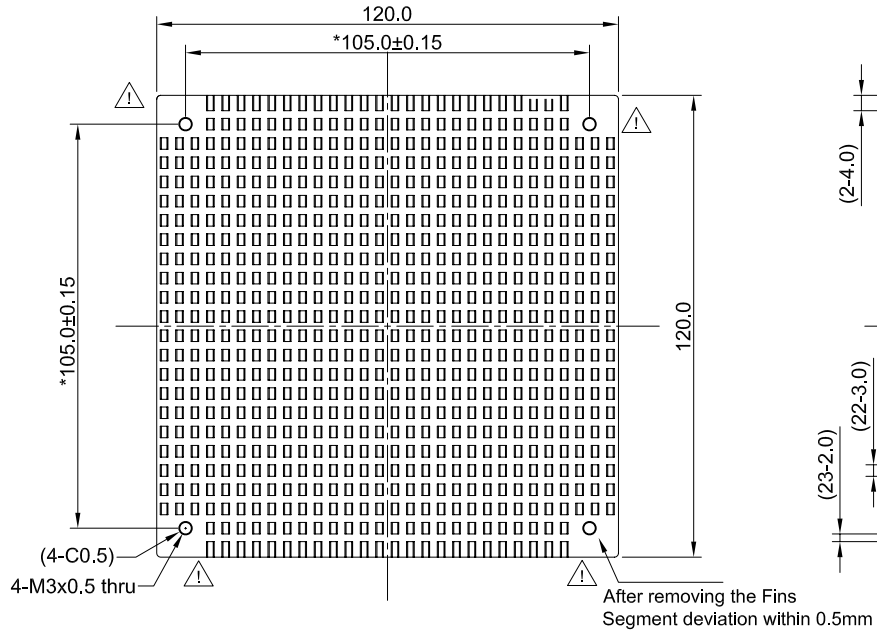
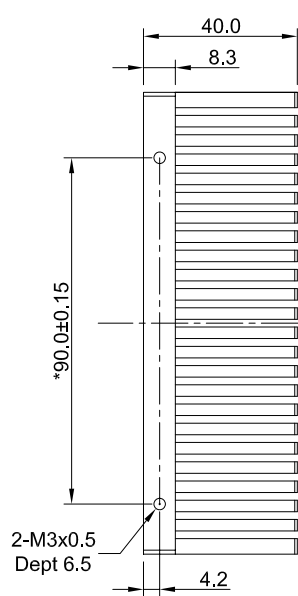


This information is confidential and proprietary to ZAWARD.  
 And shall not be reproduced or further disclosed to anyone other than ZAWARD employees without prior written consent from ZAWARD.  
 Any uncontrolled printed copy of this document is for reference purpose only unless expressly authorized by ZAWARD.  
 Authorization must include number and revision.

REVISIONS			
MARK	REV.	DESCRIPTION	DATE
	A	Formal Release	12/15/2010
	B	Change M3& Trench dimension	02/28/2011
⚠	C	Removal of fin beside hole	03/07/2011



- Note:
1. Material: Al6063-T5.
  2. Surface treatment: Clear Anodized, with nature anodized thickness more than 5µm.
  3. Surface is not allowed scratches, burrs, oils.
  4. R angle is less than 0.3 if without noted.
  5. All parts must free of burrs, Required to blunt the sharp edges.
  6. All parts are ROHS compliance.

GENERAL TOLERANCE, ALL DIMENSIONS ARE IN mm		
DIMENSIONS	METAL TOLERANCE	FIN ASSEMBLY TOLERANCE
Over 120	±0.30	±0.50
60~120	±0.25	±0.40
31~60	±0.20	±0.30
0~30	±0.15	±0.20
ANGLES	0.3°	0.3°

**ZAWARD CORPORATION**

PART NO.	40EC120L120C	PART TITLE	Heatsink		
MATERIAL	AL6063-T5	FINISH	Clear Anodized	SCALE	1:1
SIZE	A4	SHEET	1/1	ROHS	YES
WEIGHT	580g	REFERABLE		DATE	03/07/2011
REV.	C				

APPROVED Carmen CHECKED Gary DRAWN Alin VIEW mm

A B C D E F G

5  
4  
3  
2  
1

5  
4  
3  
2  
1