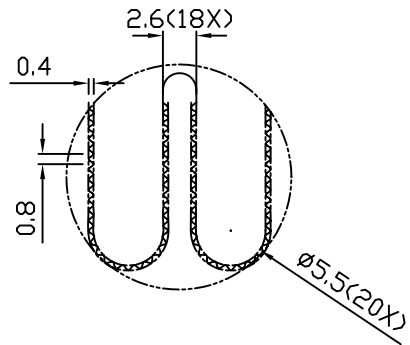
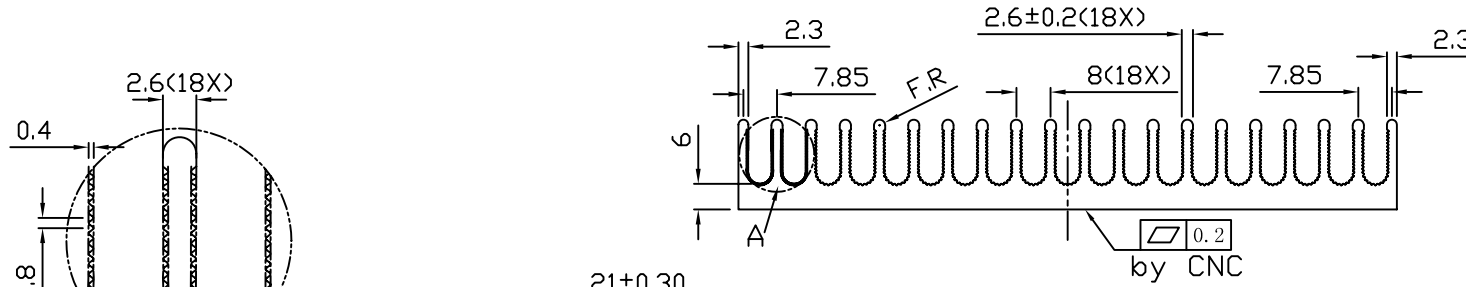
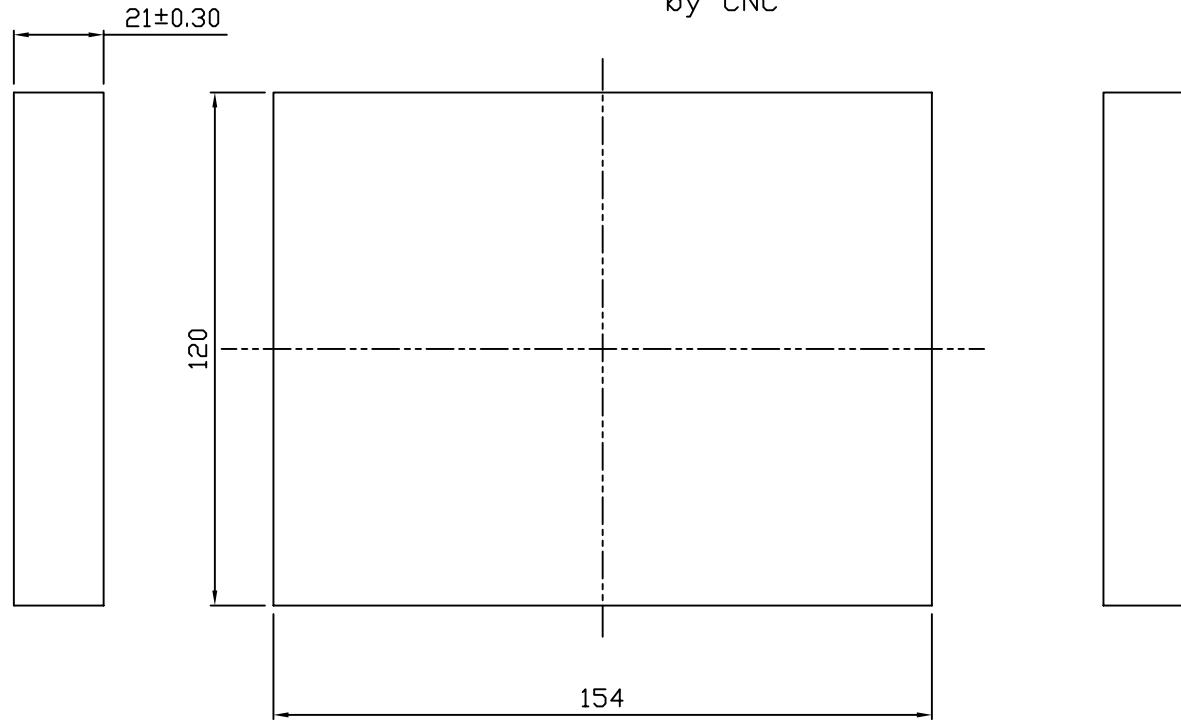


This information is confidential and proprietary to ZAWARD.
 And shall not be reproduced or further disclosed to anyone other than
 ZAWARD employees without prior written consent from ZAWARD.
 Any uncontrolled printed copy of this document is for reference purpose
 only unless expressly authorized by ZAWARD.
 Authorization must include number and revision.

| REVISIONS | | | |
|-----------|------|----------------|------------|
| MARK | REV. | DESCRIPTION | DATE |
| | A | Formal Release | 08/11/2013 |



DETAIL A
SCALE 3:1



Note:

1. Material: Al6063-T5
2. Surface treatment: Clear Anodized with nature anodized thickness more than 5µm
3. Surface is not allowed scratches, burrs, oils.
4. R angle is less than 0.3 if without noted, All parts must free of burrs.
5. All parts are ROHS compliance

| GENERAL TOLERANCE, ALL DIMENSIONS ARE IN mm | | |
|---|-----------------|-------------------------|
| DIMENSIONS | METAL TOLERANCE | SEMI ASSEMBLY TOLERANCE |
| Over 120 | ±0.50 | ±0.80 |
| 60~120 | ±0.40 | ±0.50 |
| 31~60 | ±0.30 | ±0.40 |
| 0~30 | ±0.20 | ±0.30 |
| ANGLES | 0.3° | 0.3° |

ZAWARD CORPORATION

| | | | | | | | |
|----------|-------|--------------|--------|------------|----------------|-----------|-----|
| PART NO. | | 21EX154L120B | | PART TITLE | | Heat sink | |
| MATERIAL | | AL6063-T5 | | FINISH | Clear Anodized | SCALE | 1:1 |
| SIZE | SHEET | ROHS | WEIGHT | REFERABLE | DATE | REV. | |
| A4 | 1/1 | YES | | | 08/13/2011 | A | |

| | | | | | | | | |
|----------|--------|---------|------|-------|------|------|--|----|
| APPROVED | Carmen | CHECKED | Gary | DRAWN | Alin | VIEW | | mm |
|----------|--------|---------|------|-------|------|------|--|----|

A B C D E F G