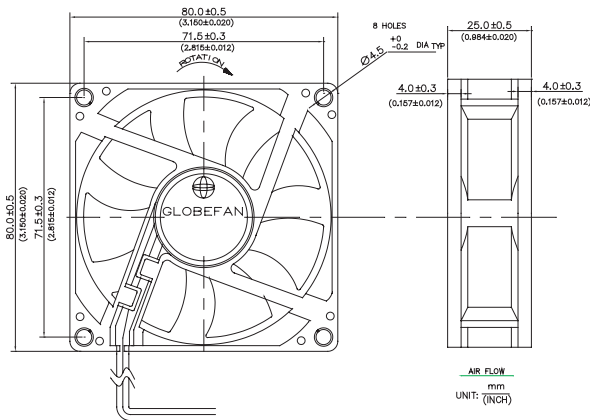


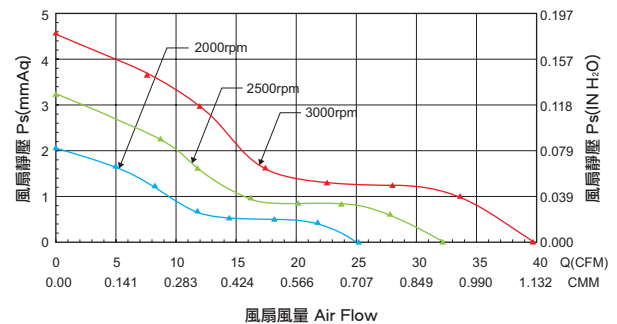
Casting and Impeller Material: Plastic (UL 94V-O)
Bearing system: Ball Bearing (B) Sleeve Bearing (S)
Lead Wires: UL 1007 AWG 26 or equivalent. Red:+, Black:-, Sensor: Yellow or White.
Model No: X01138812Y X=Bearing system, can be B or S type. Y=Fan speed, can be L, M or H.
Options: PWM, Auto-restart, FG
Net Weight: 74.0g



80×80×25 mm (3.15"×3.15"×0.98") **Model No. X01138812Y**



外形圖 外形図 Outline



風量, 靜壓特性曲線
風量, 静圧特性カーブ
Characteristic Curves

Specifications

ITEM		MODEL NO.	X01138812L	X01138812M	X01138812H
RATED VOLTAGE 定格電圧	額定電壓 (V)		12	12	12
OPERATING VOLTAGE 動作電圧	操縱電壓 (V)		6-13.8	6-13.8	6-13.8
RATED CURRENT 定格電流	額定電流 (A)		0.12	0.17	0.23
STARTING VOLTAGE 起動電圧	啟動電壓 (V)		6	6	6
RATED INPUT POWER 定格入力	額定功率 (W)		1.44	2.04	2.76
MAX AIR FLOW 最大風量	最大風量 (CFM)		25.40	32.37	39.80
	最大風量 (CMM)		0.719	0.916	1.126
MAX STATIC PRESSURE 最大靜壓	最大靜壓 (mmAq)		2.08	3.26	4.58
	最大靜壓 (IN H ₂ O)		0.082	0.128	0.180
NOISE VALUE 騒音値	噪音值 (dBA)		21.0	27.4	32.6
RATED SPEED 回轉數	額定轉速 (rpm ± 10%)		2000	2500	3000